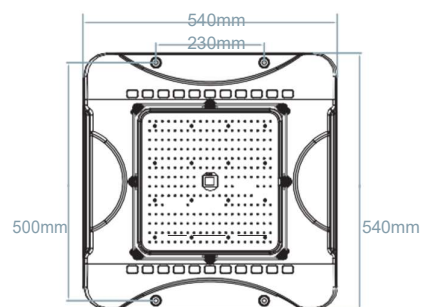
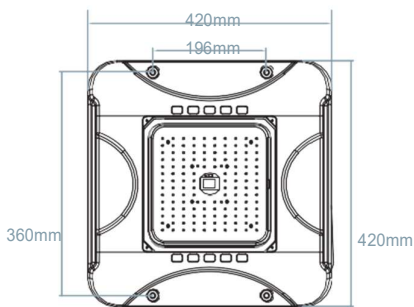
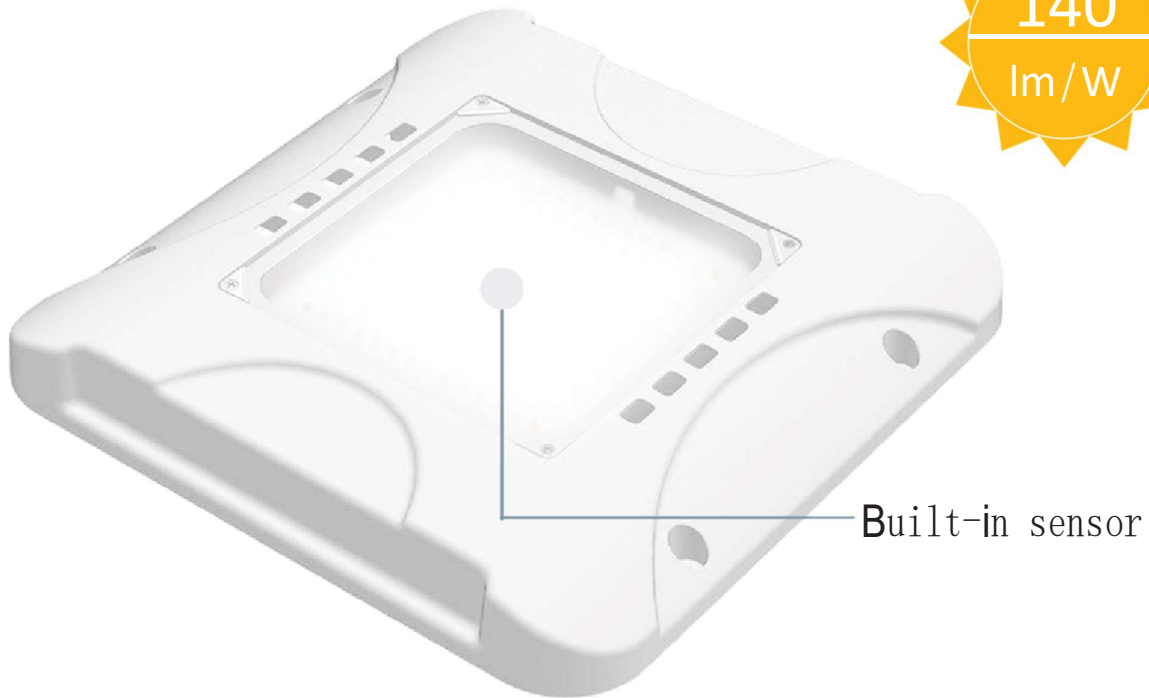


LED Canopy Light A

140
lm/W



60W 75W 100W 120W 150W

200W 240W



IPART
Independent Pricing and Regulatory Tribunal
New South Wales



LM-80 TM 21 LM 79
ISTMT LCP



APPLICATION

Suitable for food processing and parking areas, Service station canopies, Car park, Retail areas, Shopping malls and Manufacturing facilities.



SPECIFICATIONS

Item No	ERS-C60W-A	ERS-C75W-A	ERS-C100W-A	ERS-C120W-A	ERS-C150W-A
Product Size (mm)	420X420X67				
Input Voltage	AC220~240V, 50Hz				
Power	60W	75W	100W	120W	150W
LED Type	Lumileds 3030				
Input Driver	Sosen / Meanwell				
Lumen (±10%)	8400lm	10500lm	14000lm	16800lm	21000lm
CCT	2700-6500K				
Sensor	Daylight & Microwave Motion Sensor				
Beam Angle	120°				
CRI	Ra>80				
Power Supply Efficiency	>92%				
LED Lumious Efficiency	140lm/w				
Power Factor (PF)	>0.9				
Total Harmonic Distortion (THD)	≤15%				
IP Rating	IP 65				
Certificate	C-TICK, SAA, CE, CB				
Material	AL				




Item No	ERS-C200W-A	ERS-C240W-A
Product Size (mm)	540X540X67	
Input Voltage	AC220~240V, 50Hz	
Power	200W	240W
LED Type	Lumileds 3030	
Input Driver	Sosen / Meanwell	
Lumen ($\pm 10\%$)	28000lm	33600lm
CCT	2700-6500K	
Sensor	Daylight & Microwave Motion Sensor	
Beam Angle	120°	
CRI	Ra>80	
Power Supply Efficiency	>92%	
LED Lumious Efficiency	140lm/w	
Power Factor (PF)	>0.9	
Total Harmonic Distortion (THD)	$\leq 15\%$	
IP Rating	IP 65	
Certificate	C-TICK, SAA, CE, CB	
Material	AL	



REMOTE CONTROLLER

Factory setting: When turn on the Canopy light, sensor function is closed; if you need to open the sensor, please use our remote controller as below.
 Sensor default setting: daylight (OFF), motion(2 seconds), hold time (2 seconds), standby brightness 0%.



D: Press one time, Daylight Sensor working only.

On: Press one time, work with default setting.

Sc1: Hold on 30 minutes and then dimming down to its 50% luminosity. Daylight Sensor OFF.

Sc2: Hold on 10 minutes and then dimming down to its 20% luminosity. Daylight Sensor OFF.

M: Press one time, Motion Sensor working only.

Record the current environment lux.

Sc3: Hold on 30 seconds and then turn OFF. Daylight Sensor OFF.



FUNCTION DEMO-ON/OFF CONTROL



With insufficient daylight, even when motion detected. Light remains OFF.



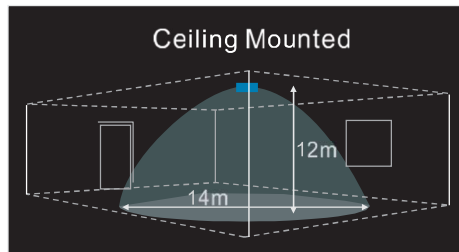
With insufficient daylight, even when motion detected. Light ON.



After the last detection and the present hold time elapsed. Light OFF.

SENSOR SPECIFICATION

Detection Patterns



Technical data

Operating voltage	12VDC ± 2v
Stand-by power	< 1W
Operating temperature	-20°C ~ +60°C
Detection area	100%/75%/50%/20%
Hold time	2Sec/30Sec/60Sec/2Min/5Min/15Min/30Min/60Min
Daylight threshold	5Lux/25Lux/50Lux/100Lux/300Lux/600Lux/Disable
Microwave power	< 1mW
Microwave frequency	5.8GHz ± 75MHz
Mounting height	Max. 12m (ceiling mounted)
Detection range	Diameter 14m (ceiling mounted)
Type	Built-in

Note: Sensor setting please refer to remote control



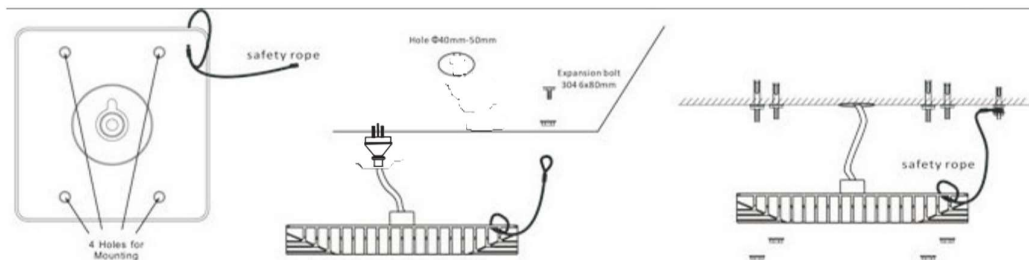
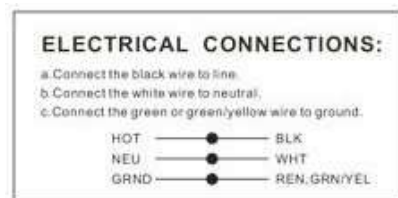
INSTALLATION INSTRUCTION

- *Warning: Do not cut off electrical source in order to avoid electrical shock and endanger life—safety before installation,
- *Install height from floor higher than 1.2m.
safety rope: The safety rope will be hung on the lamp body, the other end fixed to the ceiling expansion bolts.

SIMPLE METHOD OF INSTALLATION:

Make sure that the ceiling can support the weight of the lamp

1. Openings one hole greater than 40mm through hole in the ceiling
 2. Put the fixture on the ceiling, make four marks according to 4 mounting kits, then drill 4 holes for them.
 3. Connect the wires correctly and make sure the good wire protection.
 4. Get rubber plugs into the holes, match 4 mounting kits to the rubber plugs. then fix the fixture on the ceiling by screws.
- Ensure that no wires are pinched during installation of luminaire.



PACKING

Item code	ERS-C60/75W-A	ERS-C100W-A	ERS-C120W-A	ERS-C150W-A	ERS-C200W-A	ERS-C240W-A
Carton Size (mm)	440X440X88				560X560X88	
Qty/CTN	1	1	1	1	1	1
N.W. (KG)	4.2	4.5	4.7	5	6	6.3
G.W. (KG)	5	5.3	5.5	5.8	9	9.3

